

**Stacking Column System**  
**TÜNKERS-MASTECH**

## Programme enlarged by stacking column system

The TÜNKERS-MASTECH stacking column system has been a forming part of the product range of MASTECH Inc. USA, a system manufacturer of plants in the field of conveying technology and logistics.

These systems used to be distributed exclusively on the US market and in Canada.

Since the beginning of last year MASTECH is part of the TÜNKERS group and we are now also offering these products in Europe.

# TÜNKERS-MASTECH stacking column system

## Construction features



- Column in welded-steel construction
- Broad range of fingers made of
  - plastic
  - sheet steel
  - aluminium profile segments
- Example: aluminium profile segment
  - high precision
  - dimensionally stable
  - adjusted to component geometry
- Optional:  
Transport lock as noise protection or to secure individual parts



## Stacking columns Application example 1



Storage columns with stacked parts for transportation across short distances.



Stacking column systems mounted to a cart for loading of robot cells.

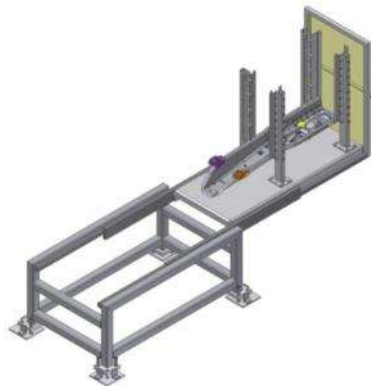
# Stacking columns

## Application example 2

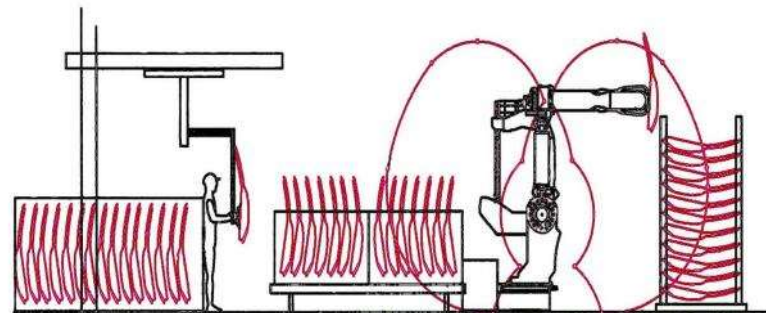
- In intermediate process storage systems
- Robot-controlled or manual interface
- Geometrically safe unloading position
- Parts-specific construction
- Container design adjusted to the relevant application
- Compatible with accumulating conveyor systems requiring small installation space



Stacking column system mounted to pallet accumulating conveyor



Stacking column system mounted to slides



180° rotary table

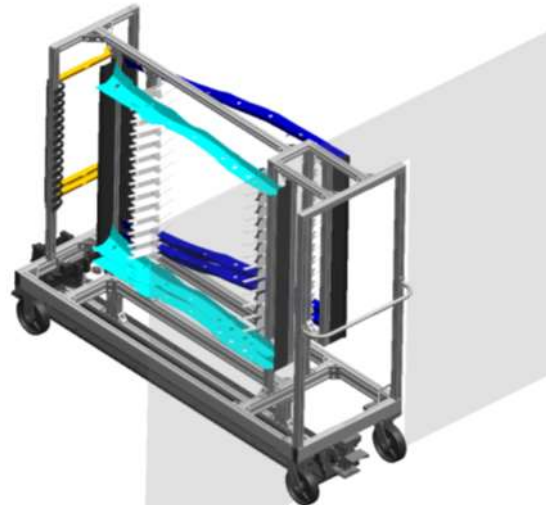
## Stacking columns Application example 3



Up to 15 mm distance between parts

**Standard distance between parts with vertical storage:**

- 15 mm
- 20 mm
- 25 mm
- 30 mm
- over 30 mm – all distances



Cart as 3 – part buffer  
With different component geometries

# Stacking column system mounted to accumulating conveyor

## Application example 4



# TÜNKERS Group - Local Sales Contacts

Country	Company Name	Sales Contact	E-Mail	Phone
Argentina	WorkTech S.R.L.	Raul Giacche	<a href="mailto:gvazquez@worktechsrl.com.ar">gvazquez@worktechsrl.com.ar</a>	+54 11 42535000
Australia	Romheld Australia Pty. Ltd.	David Shanahan	<a href="mailto:David@romheld.com.au">David@romheld.com.au</a>	+61 2 97211799
Brazil	Tünkers do Brasil Ltda.	Lucio Alcantara	<a href="mailto:lucio@tuenkers.com.br">lucio@tuenkers.com.br</a>	+55 1140563100
China	Tunkers Machinery & Automation	Rex Wang	<a href="mailto:z.wang@tuenkers.com.cn">z.wang@tuenkers.com.cn</a>	+86 2139171070820
Eastern Europe (Czech Republic / Poland / Hungary / Slovakia)	Tünkers - Sales Office East	Dieter Rauschenbach	<a href="mailto:dieter.rauschenbach@tuenkers.de">dieter.rauschenbach@tuenkers.de</a>	+49 3673842432
France	Tünkers France / SOPAP	Laurent Norjoux	<a href="mailto:laurent.norjoux@tuenkers.fr">laurent.norjoux@tuenkers.fr</a>	+33 688418200
Germany	Tünkers Maschinenbau GmbH	Sales Center	<a href="mailto:info@tuenkers.de">info@tuenkers.de</a>	+49 2102 4517 0
India	Tünkers Maschinenbau GmbH India	Jayesh Keskar	<a href="mailto:jayesh.keskar@tunkers.com">jayesh.keskar@tunkers.com</a>	+91 2025380540
Iran	Iran Industries Support	Amir Khoshokhan	<a href="mailto:PRESIDENT@IIS-CO.COM">PRESIDENT@IIS-CO.COM</a>	+98 2188513371
Italy	Tünkers-Expert Italia	Renato Tosco	<a href="mailto:r.tosco@tunkers.it">r.tosco@tunkers.it</a>	+39 0115508264
Japan	Tünkers Japan / ROHAL	Tomoo Kaku	<a href="mailto:tomoo.kaku@tuenkers.de">tomoo.kaku@tuenkers.de</a>	+81 336699407
Maroc	MAN CONSULTING sarl	Michel Andre	<a href="mailto:andre.michel733@gmail.com">andre.michel733@gmail.com</a>	+212 657593160
Mexico	Tünkers-Expert Mexico	Christian Volkmann	<a href="mailto:Christian.Volkmann@tuenkers.de">Christian.Volkmann@tuenkers.de</a>	+52 2224850708
Romania / Serbia	S.C. Clamping Systems S.R.L	Cristi Miclea	<a href="mailto:cristian.miclea@tuenkers.de">cristian.miclea@tuenkers.de</a>	+ 40 359451966
Russia	West-RU	Vladimir Tikhomirov	<a href="mailto:vt@west-ru.ru">vt@west-ru.ru</a>	+7 8312200710
Scandinavia (Denmark / Finland / Norway / Sweden)	Berga Maskin AB	Niels Nielsen	<a href="mailto:info@berga-maskin.se">info@berga-maskin.se</a>	+46 15831112
South East Asia (Indonesia / Malaysia / Thailand / Philippines / Vietnam)	DAB Technology	Bryan Chua	<a href="mailto:bryan@dabtech.net">bryan@dabtech.net</a>	+60 166623836
South Africa	Demcon (Cape) cc	Peter Attinger	<a href="mailto:Demcon@demcon.co.za">Demcon@demcon.co.za</a>	+27 414847411
South Korea	JC Systems Co. Ltd.	JH Cho	<a href="mailto:j3cho@chol.com">j3cho@chol.com</a>	+82-70-7012-0891
Spain / Portugal	TÜNKERS IBÉRICA S.L.	Luis Tullio	<a href="mailto:ltullio@tunkersiberica.com">ltullio@tunkersiberica.com</a>	+34 933952827
Turkey	CAVA Makina Ltd.	Enver Catak	<a href="mailto:enver.catak@cava.com.tr">enver.catak@cava.com.tr</a>	+90 2165400130
UK & Ireland	Tunkers Expert UK Ltd	David Shaw	<a href="mailto:david.shaw@tuenkers.de">david.shaw@tuenkers.de</a>	+44 1384287690
USA / Canada	Tunkers-Mastech	Christian Heyer	<a href="mailto:christian.heyer@tunkers.com">christian.heyer@tunkers.com</a>	+1 7347445990