

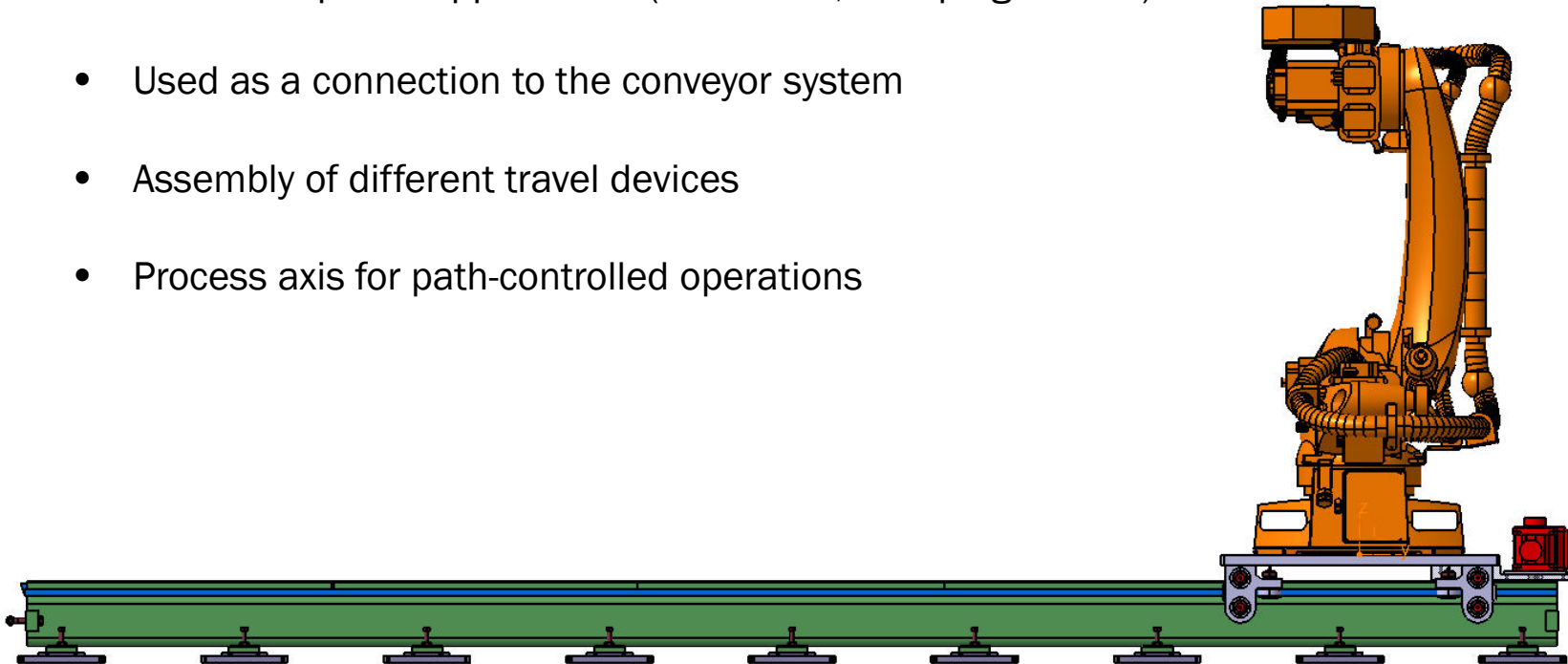
## EXPERT-TÜNKERS

ESA | 7<sup>th</sup> Axis

Linear - Fast - Precise

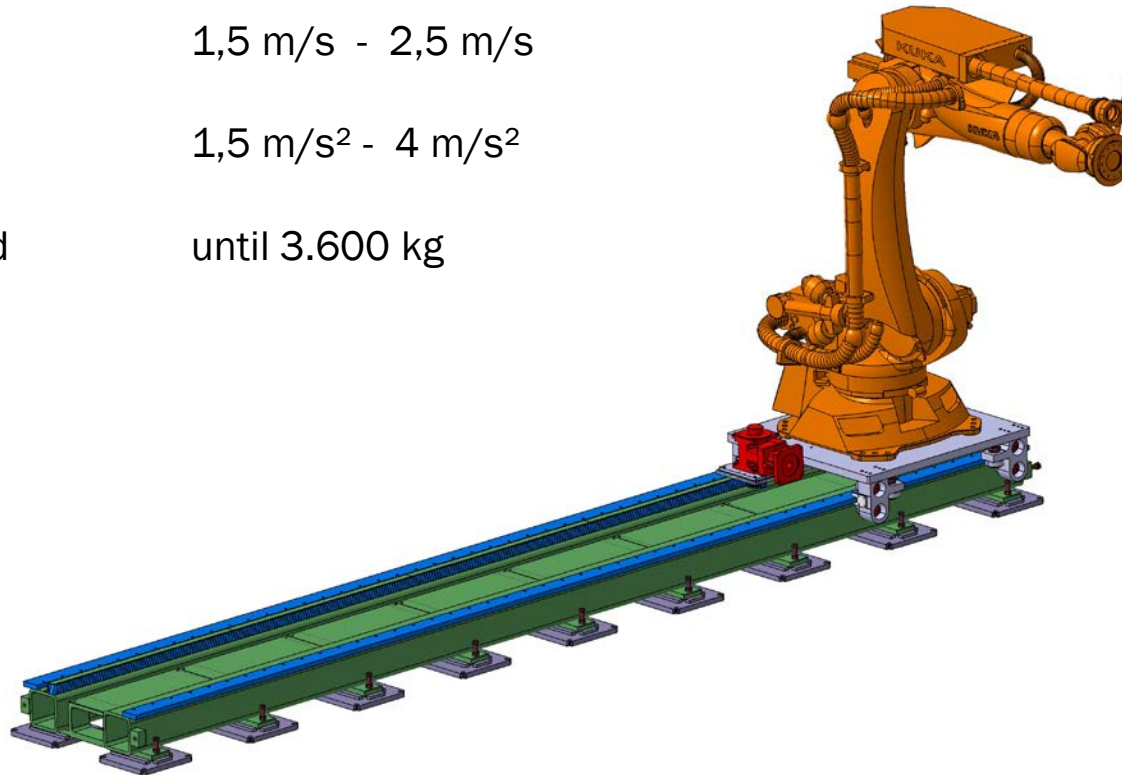
## Applications

- Traveling axis for different robot types (ABB, KUKA, Fanuc)  
& various special applications (turntables, clamping frames)
- Used as a connection to the conveyor system
- Assembly of different travel devices
- Process axis for path-controlled operations



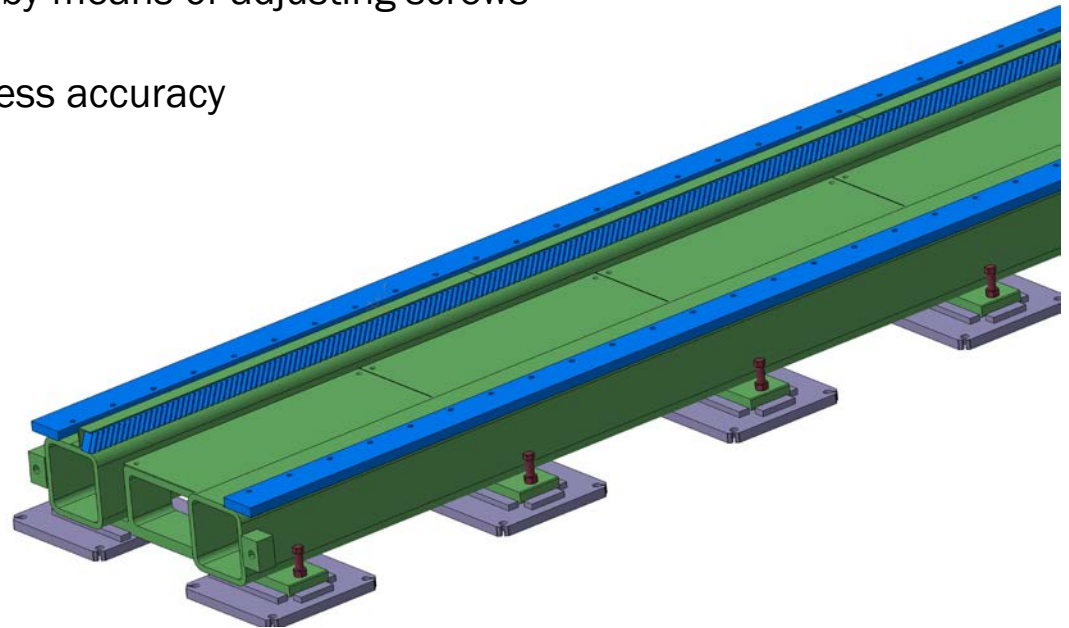
## Technical details:

- Length segmental construction, freely selectable until 30.000 mm
- Speed 1,5 m/s - 2,5 m/s
- Acceleration  $1,5 \text{ m/s}^2$  -  $4 \text{ m/s}^2$
- Transport load until 3.600 kg



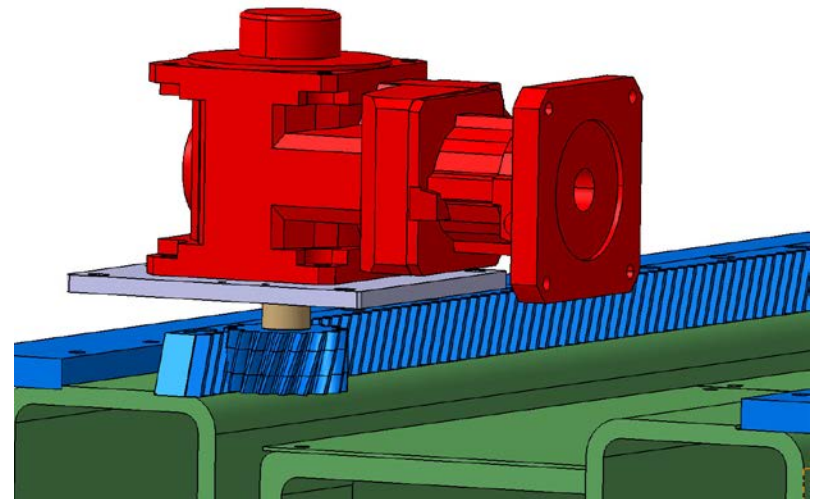
## Base Frame

- 2 square tubes form the foundation frame
- Several transverse ribs provide the required stability
- Fine adjustment of the flatness by means of adjusting screws
- Ground guide rails for high process accuracy



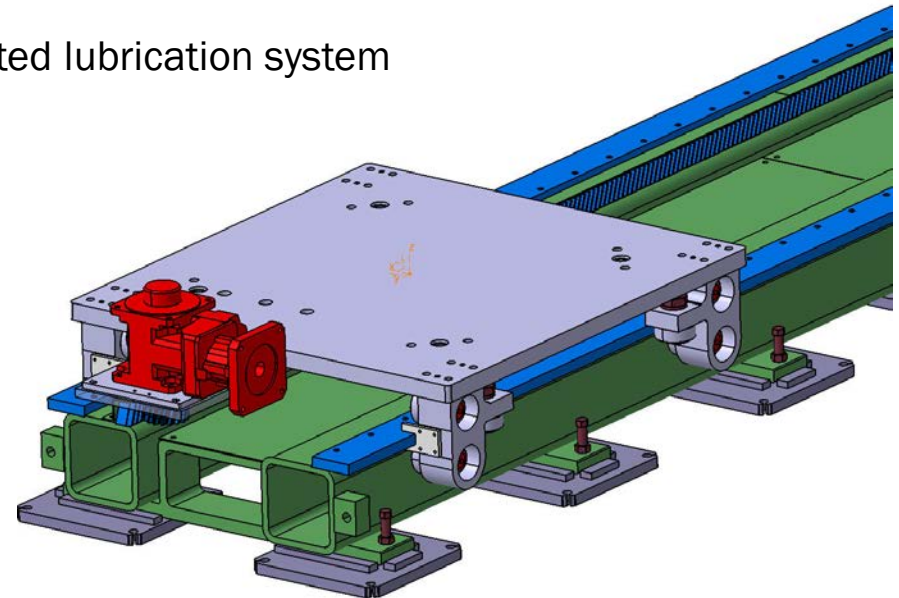
## Pinion - rack system

- Helical tothing for smoother running and higher power transmission
- Hardened flanks for long life
- Low-backlash version available as an option
- Manual and automatic lubrication system possible



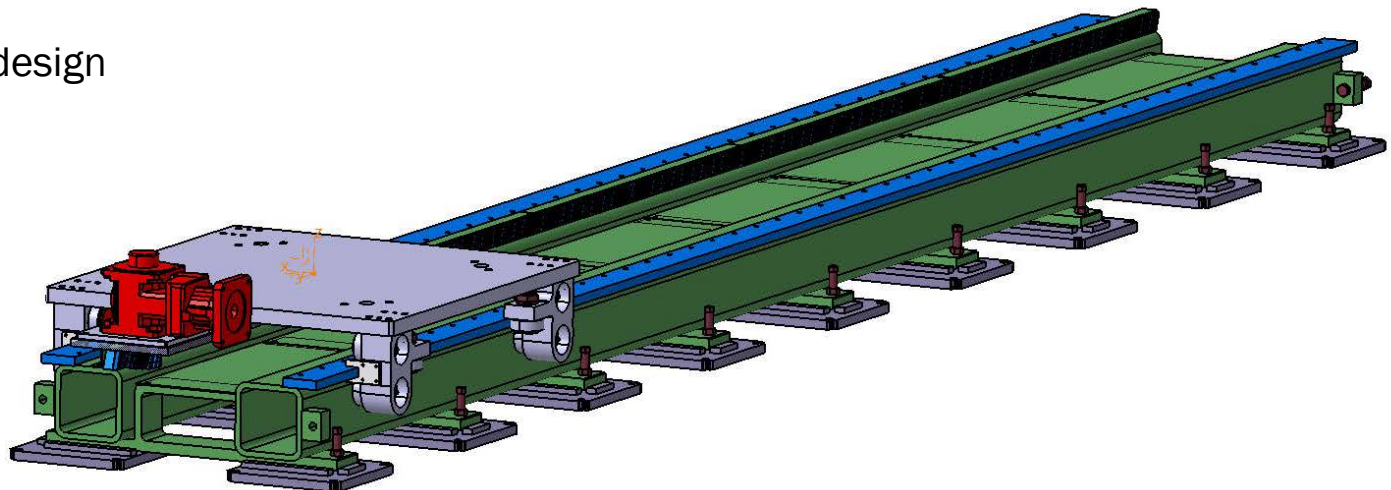
## Track carriage

- Connection for welding robots and other applications
- Integrated SEW Transmission (BSHF)
- Roller carrier
  - Bearing lubrication through automated lubrication system
  - Adjustment by means of eccentric adjusting screw
  - 4-fold version for stable, repeatable travel movement



## Salient features:

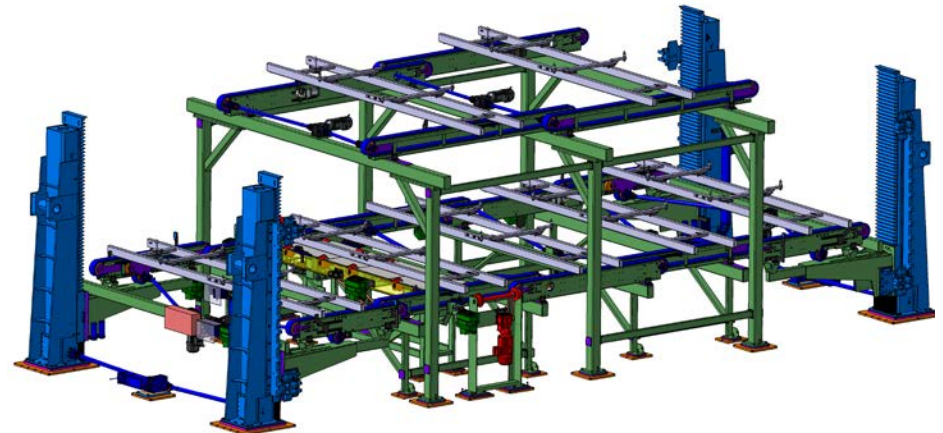
- Delivery of the drive motor according to customer
- All-round protection against spatter
- Optional with cable carriers
- Modular design
- Walkable





## Do you know our conveyor systems??

- Lift Powered Lowerbed  
<https://www.youtube.com/watch?v=BhrtRsA3-Ow>
- Skid-Cross-Conveyor & Skid-Ring-Conveyor  
<https://www.youtube.com/watch?v=ysaWoWKtUEY>
- Flexible Rotary Tables  
<https://www.youtube.com/watch?v=mft1s-4l3aw>





**Thank you for your attention !**

**Contact:**

**EXPERT-TÜNKERS GmbH**

Seehofstr. 56-58

64653 Lorsch

Telefon +49 (0) 6251 / 592-0

Telefax +49 (0) 6251 / 592-100

E-Mail [sales@expert-tuenkers.de](mailto:sales@expert-tuenkers.de)

Internet [www.expert-tuenkers.de](http://www.expert-tuenkers.de)