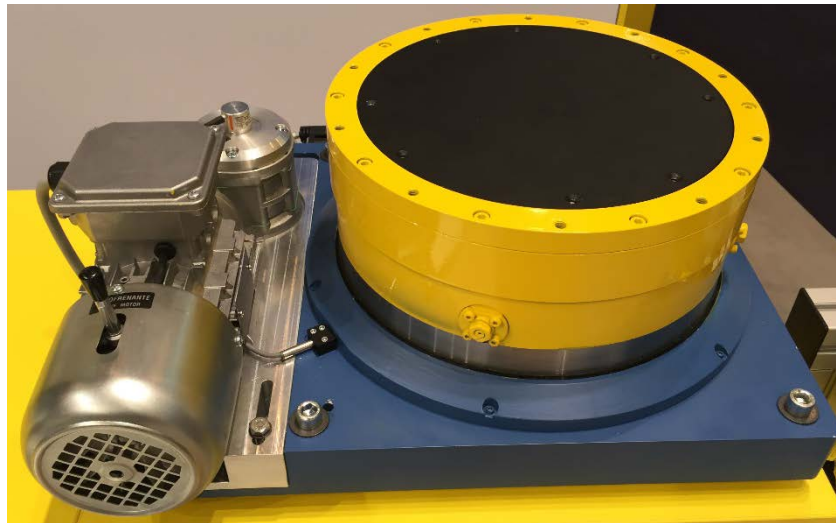


Presentation of ETXR 250

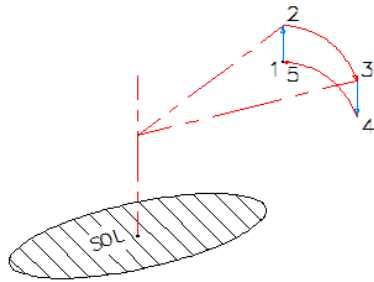


ETXR 250 is a system which combines a lifting motion and a rotative motion. The only gear motor drives the plate in rotation or in translation by a pneumatic indexing technique.

Technical data :

- Indexing accuracy : +/- 0,5°
- Lifting stroke : 25mm (different stroke on request)
- Supply : Three-phase asynchronous motor
- Air 6 bars

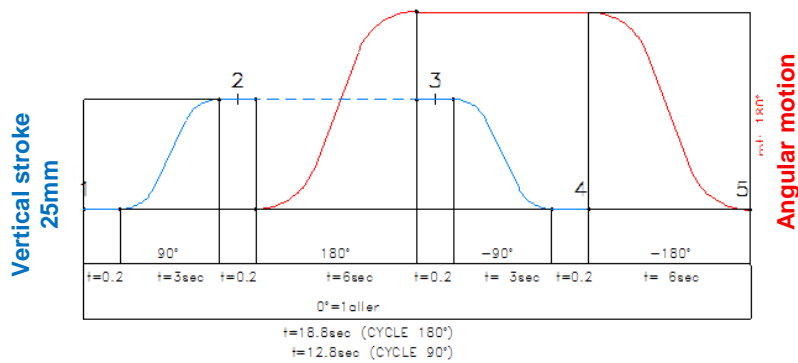
Working principle

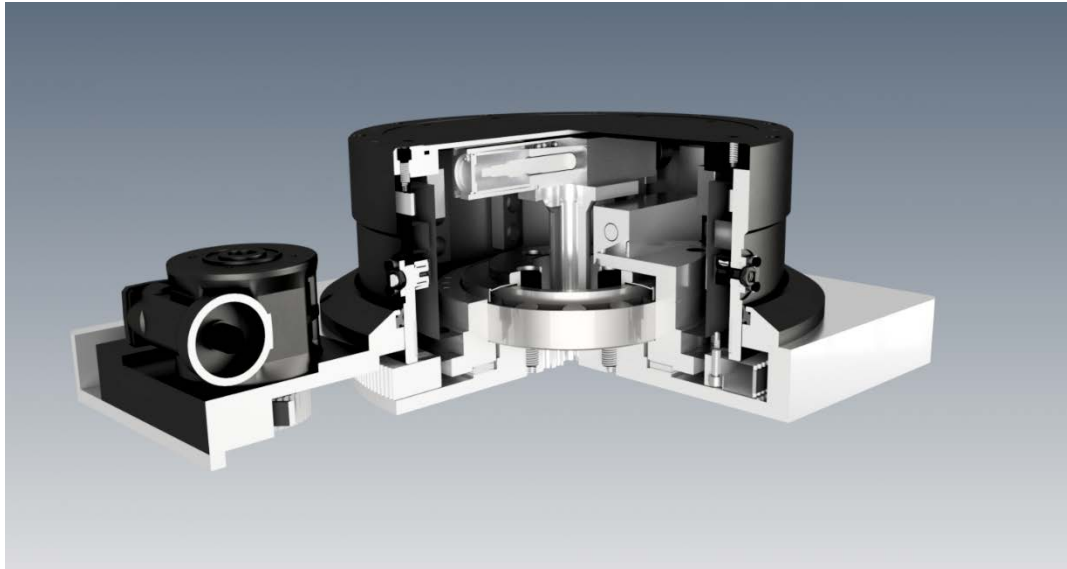


Cycles

The lifting motion is done by rotating the cam 90 degrees.

After locking in the up or down position, the ETXR 250 can rotate 90 or 180 or 270 degrees.



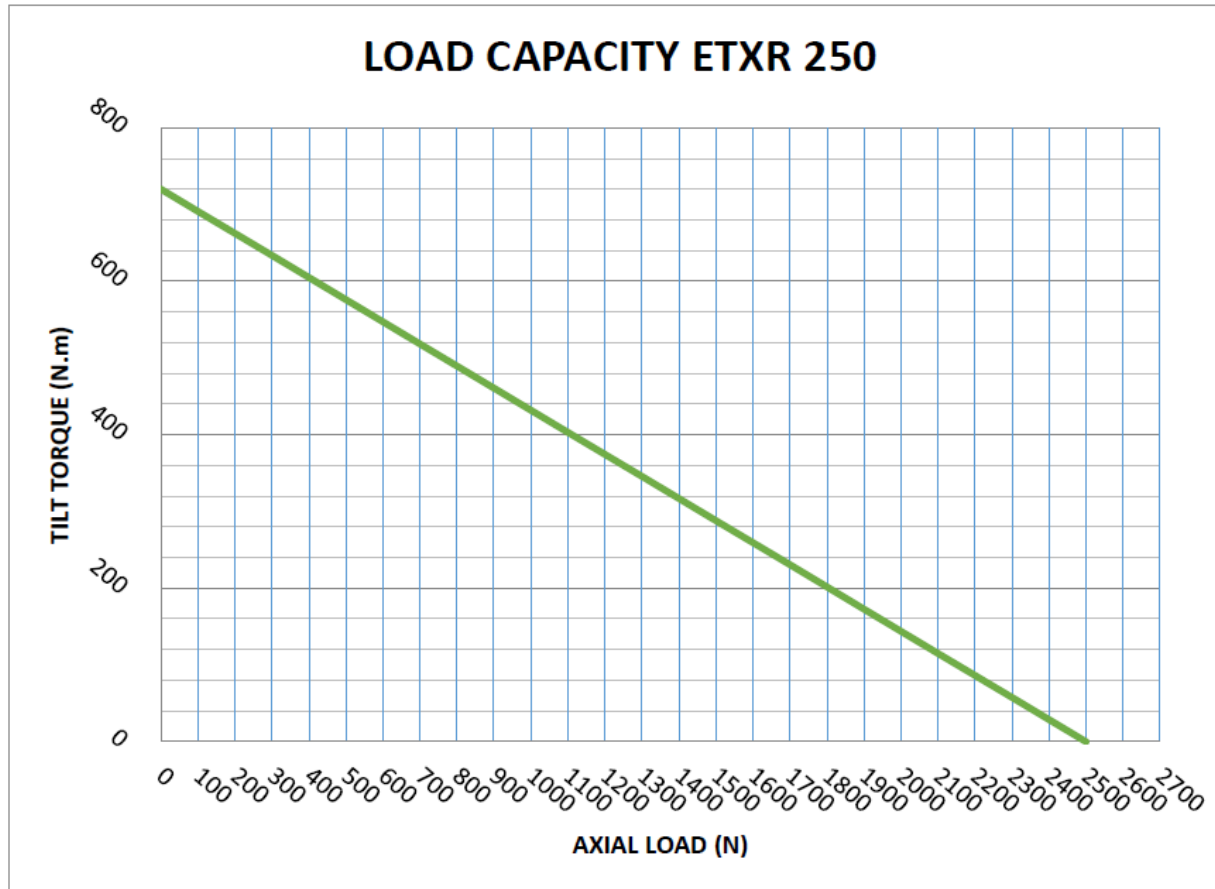


Sectional view
of the product

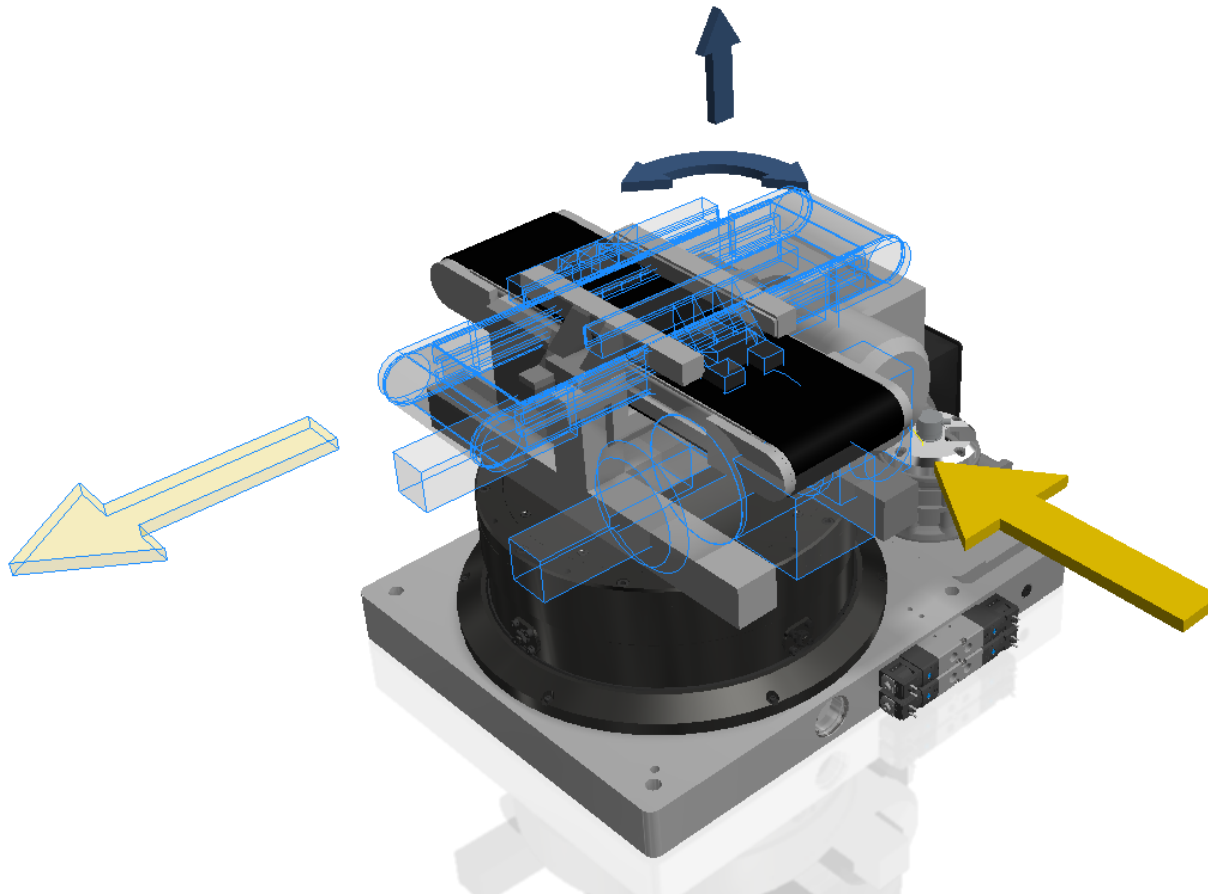


The cam

Load capacity



Example of application with conveyors



SOPAP Automation SAS
P.A. Ardennes Emeraude
Rue Henri Faure
08090 Tournes

Phone +33 (0) 3245 294 64
Fax +33 (0) 3245 290 03

E-Mail sopap@sopap.com
Internet www.sopap.com

YouTube 