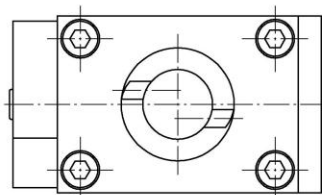
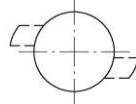


### Jaw positions

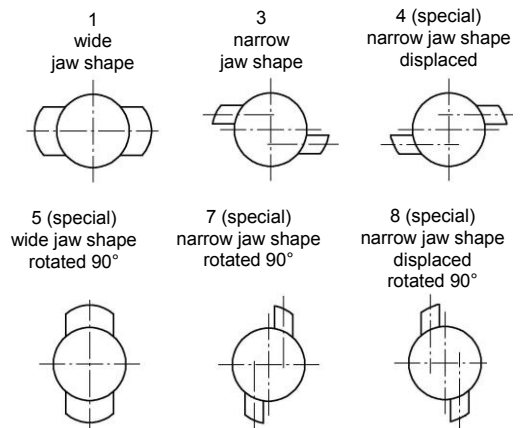
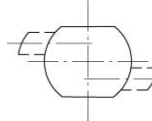


### Centering pin version

Shape A\*\*



Shape B\*\*



### Ordering example:

SDZ 40 F 311A19,8 T12

SDZ 40 F: Type  
 3: Jaw position  
 1: Jaw type  
 1: Top plate type  
 A: Centering pin version  
 19,8: Pin Ø „A“  
 T12: Sensing system

### Top plate type:

1 = flat  
 2 = with ring groove

### Jaw type:

1 = flat  
 2 = cranked

\* Calculated values without friction loss  
 \*\* other pin versions on request

Tolerance for dowel holes  $\pm 0.02$ , for threaded holes  $\pm 0.1$ .

Medium: Air, max. 6 bar, operation permitted with oil-free air.

### Attention!

External throttle check valves must be provided on assembly. They are not included in the scope of delivery!

### Ordering example Tünkers sensing system:

... T12 Inductive sensor 24 V, 1 output with integrated LED's (M12)

Type	Stroke (mm)	Tensile force at 6 bar*	Pressing force at 6 bar*	Clamping range "X"
SDZ 40 F	10	1000 N	850 N	0-6 mm

Pin Ø „A” (mm)	Centering Pin version shape	Jaw shape	Jaw			Top plate			Weight ~ (kg)
			Ø „B” (mm)	Ø „C” (mm)	Depth „D” (mm)	Ø „B” (mm)	Ø „C” (mm)	Depth „D” (mm)	
15,8	A	3,4,7,8	24,8	21,6	4 ±0,1	32	22,0 ±0,1	5 ±0,1	1,9
		1,5	21,8	20,0			20,0 ±0,1		
19,8		3,4,7,8	31,7	27,6	5 ±0,1	32	28,0 ±0,1	5 ±0,1	1,9
		1,5	27,8	25,0			25,0 ±0,1		
20,3		3,4,7,8	32,2	28,1	5 ±0,1	32	28,4 ±0,1	5 ±0,1	1,9
		1,5	28,3	25,5			25,5 ±0,1		
23,8		3,4,7,8	35,6	31,6	5 ±0,1	40	32,0 ±0,1	5 ±0,1	2,0
		1,5	33,8	31,0			31,0 ±0,1		
29,8		3,4,7,8	41,6	37,6	5 ±0,1	48	38,0 ±0,1	5 ±0,1	2,0
		1,5	41,8	38,0					
32,8		3,4,7,8	44,7	40,6	5 ±0,1	48	41,0 ±0,1	5 ±0,1	2,1
		1,5	44,8	41,0					
29,8 / 23,8	B	3,4,7,8	41,6 / ___	37,6 / ___	5 ±0,1	48	37,0 ±0,1 / 31,0 ±0,1	5 ±0,1	2,1
	1,5	41,8 / ___	38,0 / ___						