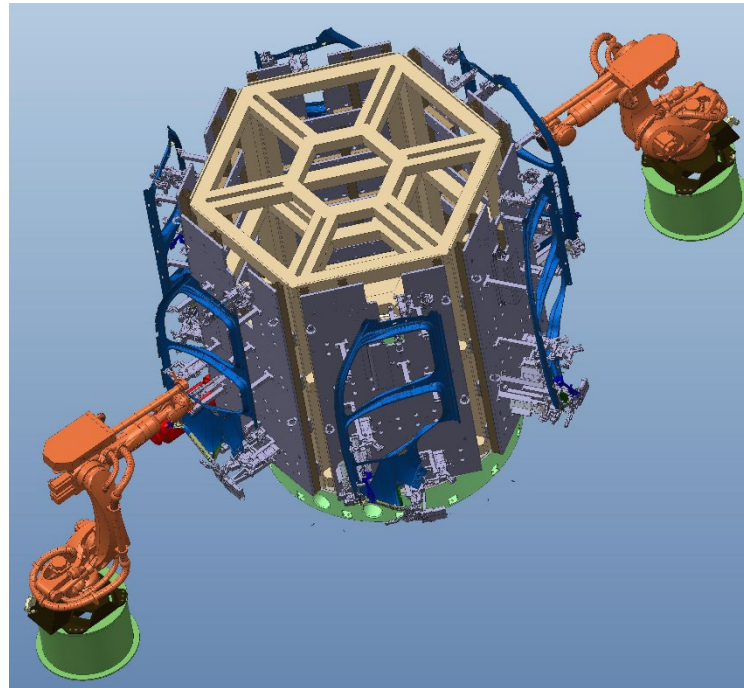


## EXPERT Vertical tool drum



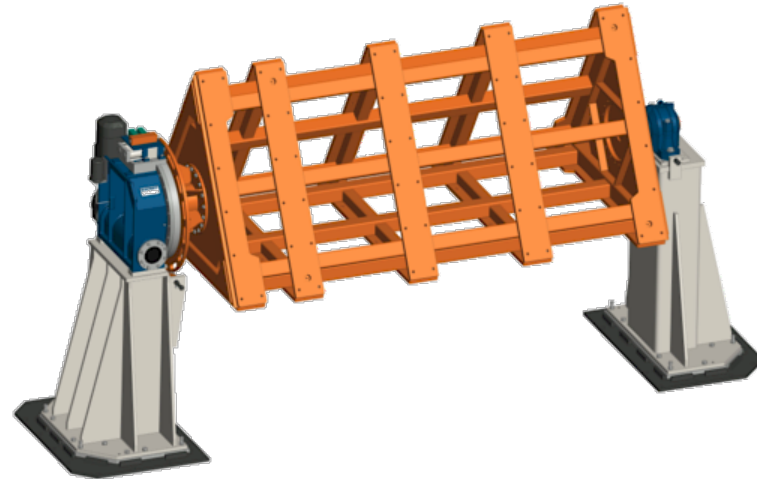
- Arrangement of the devices for different body variants (right/left, SUV, convertible) on a drum with 2, 3 or 4-pitch
- Drive with EXPERT drum drive

## Advantage:

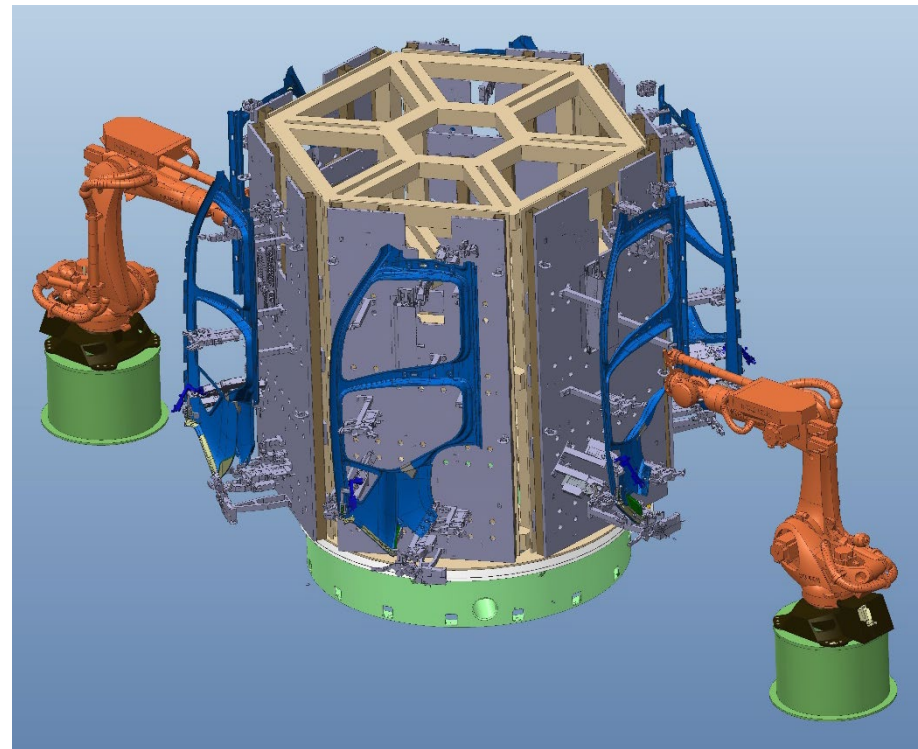
- Low space requirement

## Disadvantage:

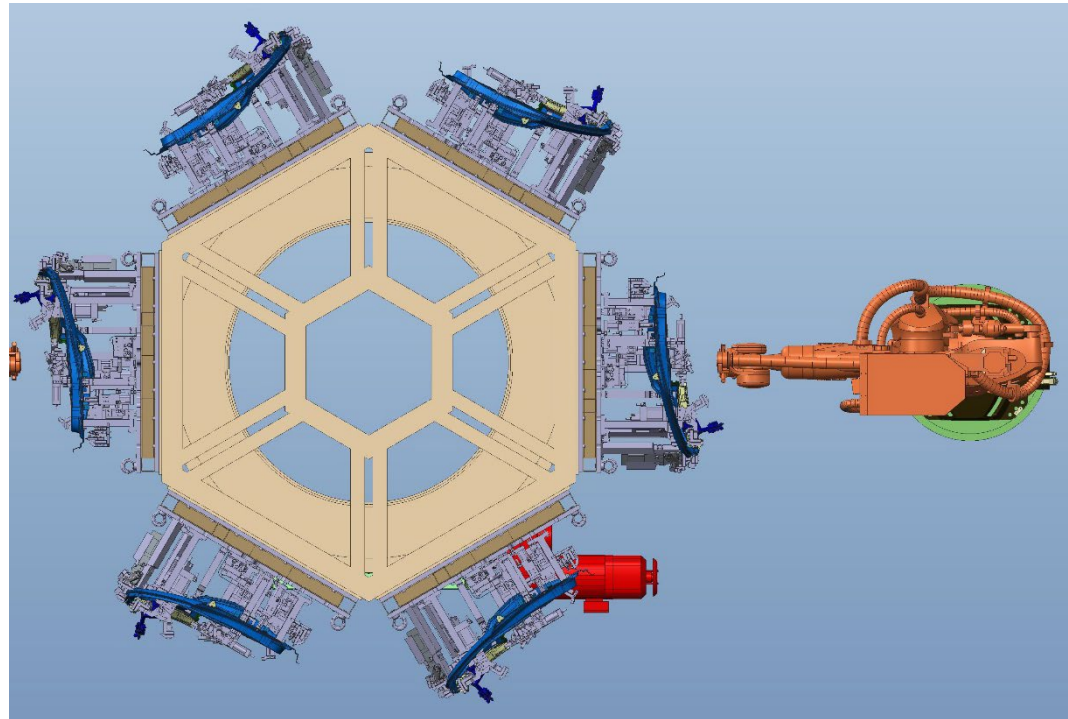
- limitation to max. 4-6 devices
- Complex, very stable steel structure required for complex, large components



- Drum is arranged vertically
- Instead of a drum drive, an appropriately dimensioned high-performance turntable from EXPERT with a diameter of 2-3 m (EDH series) and max. loads of approx. 50,000 kg is used



- Less space required in the layout, especially for long body parts/devices, e.g. side panel
- Access with robot from all sides
- Easy access also for maintenance
- Arrangement of several fixture/bodywork variants
- > 6 models possible



Your contact for more information

EXPERT-TÜNKERS GmbH  
Frank Giebenhain  
Seehofstraße 56-58  
64653 Lorsch

Telefon +49 (0) 6251-592-113  
E-Mail [fgiebenhain@expert-tuenkers.de](mailto:fgiebenhain@expert-tuenkers.de)  
Internet [www.expert-tuenkers.de](http://www.expert-tuenkers.de)

YouTube 

