

At your service - worldwide



TÜNKERS Maschinenbau GmbH
Am Rosenkoth 4-12
40880 Ratingen
Germany
Tel.: +49 2102 4517-0
info@tuenkers.de
www.tuenkers.de

EXPERT-TÜNKERS GmbH
Seehofstraße 56-58
64653 Lorsch
Germany
Tel.: +49 6251 592-0
info@expert-tuenkers.de
www.expert-tuenkers.de

HELU GmbH
Seehofstraße 56-58
64653 Lorsch
Germany
Tel.: +49 6251 592-280
info@helu.de

SOPAP Automation SAS
P. A. Ardennes Emeraude
Rue Henri Faure
BP 11 09, 08090 TOURNES
France
Tel.: +33 3 24 52 94 64
sopap@sopap.com

ARGENTINA – TÜNKERS DE ARGENTINA S.A.
Velez Sarsfield 1516 – Quilmes (1879)
Provincia de Buenos Aires
Tel.: +54 11 2100-2900
info@tuenkers.com.ar

CZECH REPUBLIC – Kopta s. r. o.
Vážní 891 / areál PSN I
CZ-500 03 Hradec Králové
Tel.: +420 495 53 1210
kopta@kopta.cz

MOROCCO – SOPAP Automation SAS
P. A. Ardennes Emeraude
Rue Henri Faure
F-BP 11 09, 08090 TOURNES
Tel.: +33 3 24 52 94 64
michel.andre@tuenkers.de

SLOVENIA – TÜNKERS Maschinenbau GmbH
55068 Sibiu, Romania
Tel.: +40-752 184 548
traian.moga@tuenkers.sk

AUSTRALIA – Romheld Australia Pty. Ltd.
30/115 Woodpark Rd
Smithfield N.S.W 2164
Tel.: +61 2 97211199
sales@romheld.com.au

DENMARK – Berga Maskin
64693 Gnesta
Tel.: +46 158 31112
info@berga-maskin.se

MEXICO – TÜNKERS DE MÉXICO, S.A. DE C.V.
Calle Emiliano Zapata No.17-2
Col. Emiliano Zapata
72810 San Andrés Cholula Puebla
Tel.: +52 222 393 5547
christian.volkmann@tuenkers.mx

SOUTH AFRICA – Demcon (Cape) cc
PO Box 15237
ZA-60110 Emerald Hill/Port Elizabeth
Tel.: +27 41 4847411
demcon@demcon.co.za

AUSTRIA – B-S-D Spanntechnik GmbH
Sportplatzstrasse 31
3385 Markersdorf
Tel.: +43 2749 72870-0
office@bsdustria.com

FINLAND – Berga Maskin
64693 Gnesta
Tel.: +46 158 31112
info@berga-maskin.se

NETHERLANDS – TÜNKERS Maschinenbau GmbH
Am Rosenkoth 4-12
D-40880 Ratingen
Tel.: +49 2102 4517-0
peter.czajkowski@tuenkers.de

SOUTH KOREA – JC Systems Co. Ltd.
#405 Ace Highend 9ChA, 233,
Gasan digital 1-ro, Geumcheon-gu, Seoul
Tel.: +82 70 7012089
j3cho@chol.com

BALTIC STATES – Vertriebsbüro Ost
Markt 11
D-07426 Königsee
Tel.: +49 36738 42432
dieter.rauschenbach@tuenkers.de

FRANCE – SOPAP Automation SAS
P. A. Ardennes Emeraude
Rue Henri Faure
BP 11 09, 08090 TOURNES
Tel.: +33 3 24 52 94 64
sopap@sopap.com

POLAND – TÜNKERS Slovakia s.r.o.
Roentgenova 26
SK85101 Bratislava
Tel.: +48 660 055 225
jaroslav.rozmarsky@tuenkers.sk
www.tuenkers.sk

SPAIN – TÜNKERS IBÉRICA, S.L.
c/ Enric Prat de la Riba, 14b
08830 Sant Boi de Llobregat (Barcelona)
Tel.: +34 93 3952827
tuenkers@tuenkersiberica.com

BELGIUM – SOPAP Automation SAS
P. A. Ardennes Emeraude
Rue Henri Faure
F-BP 11 09, 08090 TOURNES
Tel.: +33 3 24 52 94 64
sopap@sopap.com

HUNGARY – TÜNKERS Slovakia s.r.o.
Roentgenova 26
SK85101 Bratislava
Tel.: +421 905 564 691
juraj.rampasek@tuenkers.sk

ROMANIA – TÜNKERS Maschinenbau GmbH
55068 Sibiu, Romania
Tel.: +40-752 184 548
traian.moga@tuenkers.sk

SWEDEN – BERGA MASKIN
SE-646 93 GNESTA
Tel.: +46 158 311 12
info@berga-maskin.se

BRAZIL – Tünkers do Brasil Ltda.
Avenida Casa Grande, 850 – Galpão 6, 11 e 13
Bairro: Casa grande
09961-350 – Diadema – São Paulo
Tel.: +55 11 4056-3100
comercial@tuenkers.com.br

INDIA – TÜNKERS Automation India Private Ltd.
402 Supreme Head Quarters 36
Mumbai-Pune Bypass
411008 Baner-Pune
Tel.: +91 98 60 699190
jayesh.keskar@tuenkers.com

RUSSIA – WEST-RU
Novikova-Priboya Str. 4 office 407
603058 Nizhny Novgorod
Tel.: +7 831 253 01 65

THAILAND – DAB Technology Co., Ltd.
H20 424/15 Kanchanapisek Rd.
Dokmai, Pravat,
Bangkok 10250
Tel.: +66 97 072 8972
rodchaya.jaranyanont@tuenkers.de

CANADA – TÜNKERS-Mastech
36200 Mound Road
Sterling Heights, MI 48312
Tel.: +1 734 744 5990
christian.heyer@tuenkers.com

INDONESIA – DAB Technology Pte. Ltd.
21 Woodlands Industrial Park E1, #03-04
Singapore 757720
Tel.: +65 6891 3286
sales@dabtechn.net

RUSSIA – Cont Group
Office 315, Sibirskij Proezd 2-27
Moscow 109316
Tel.: +7 495 775 - 0377

TURKEY – Cava Makina
Imes Sanayi Sitesi E 503
34776 Umraniye / Istanbul
Tel.: +90 216 3809280
alp.varma@cava.com.tr

CHINA – TÜNKERS China
Tuenkers Machinery & Automation
Technology Co., Ltd. Shanghai
Building 4, No. 768 Chenxiang Road,
Jiading District, Shanghai P.R.
China, 201802
Tel.: +86 21 39171070
info@tuenkers.com.cn
Other Offices: Changchun, Nanjing, Chengdu,
Beijing, Wuhan, Guangzhou, Yantai, Shenyang

ITALY – TÜNKERS Italia
Strada TORINO, 43 EUROPLACE sub. 06
10043 ORBASSANO-TORINO
Tel.: +39 011 6471556
s.tosco@tuenkers.it

SERBIA – TÜNKERS Maschinenbau GmbH
55068 Sibiu, Romania
Tel.: +40-752 184 548
traian.moga@tuenkers.sk

UK – TÜNKERS-EXPERT UK Ltd.
Unit 5, Ham Lane,
Kingswinford,
West Midlands.
DY6 7JR
Tel.: +44 (0) 1384 287690
neal.judge@tuenkers.de

CZECH REPUBLIC – Vertriebsbüro Ost
Markt 11
D-07426 Königsee
Tel.: +49 36738 42432
petr.cejka@tuenkers.sk

JAPAN – TÜNKERS Japan Ltd.
Daimyo Create Bldg. 6F
Daimyo 1-8-20
Chuo-ku, Fukuoka 810-0041 JAPAN
Tel.: +81 80 83544786
tomoo.kaku@tuenkers.de

SINGAPORE – DAB Technology Pte. Ltd.
21 Woodlands Industrial Park E1
#03-04
Singapore 757720
Tel.: +65 68913286
enquiry@dabtech.net

USA – TÜNKERS-Mastech
36200 Mound Road
Sterling Heights, MI 48312
Tel.: +1 734 744 5990
christian.heyer@tuenkers.com

MALAYSIA – DAB Technology Sdn.Bhd.
No 9-2B Jalan Bandar 10, Pusat Bandar Puchong
47100 Selangor
Tel.: +603 8060 9448
sales@dabtechn.net

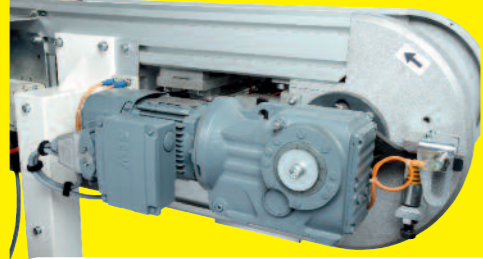
SLOVAKIA – TÜNKERS Slovakia s.r.o.
Twin City C
Mlynské nivy 16
SK82109 Bratislava
Tel.: +421 905 564 691
juraj.rampasek@tuenkers.sk
www.tuenkers.sk

VIETNAM – DAB Technology Pte. Ltd.
21 Woodlands Industrial Park E1
#03-04
Singapore 757720
Tel.: +65 68913286
enquiry@dabtech.net

THE FAMILY OF AFS ACCUMULATING CONVEYORS



THE FAMILY OF AFS ACCUMULATING CONVEYORS



The TÜNKERS AFS accumulating conveyor is a proven, widely known device. Central chain, precision aluminum profiles, patented deflection and dual friction of the pallets are the basic elements that have made the AFS accumulating conveyor a robust partner in body-in-white assembly logistics.

Not least driven by the many requirements and demands from customers has the AFS family grown constantly with many special solutions for body-in-white assembly, always based on the proven basic modules.

This means e.g. that up to 60 m long ceiling-mounted accumulating conveyors have taken over the tasks that used to be executed by suspended electric conveyors. The most recent new member of the family is the spur belt conveyor, which will be available for all variants as a maintenance-free

option in the future. Here is an overview of what the AFS family of accumulating conveyors can do for you today:

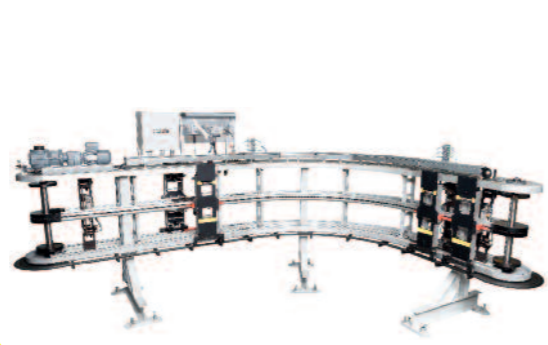
Vertical/90°

- Flexible loading from all sides
- Stop possible anywhere, even in the bend
- Particularly suited for small/long parts



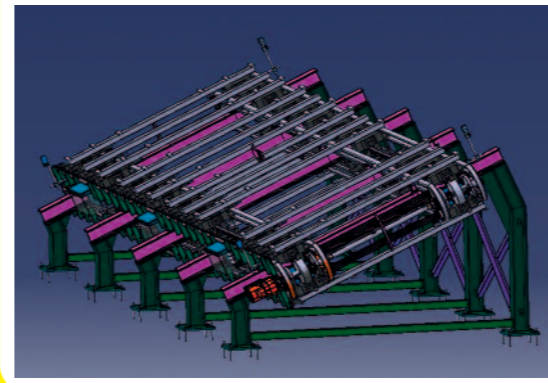
Around the bend

- Vertical conveyor built around the bend for optimum space utilisation in the cell
- Optimum loading and unloading situation



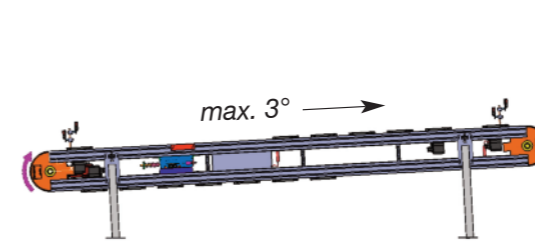
AFS - 45° conveyor

- 45° or more for ergonomic operation of tilted conveyors (up to max. 60°)



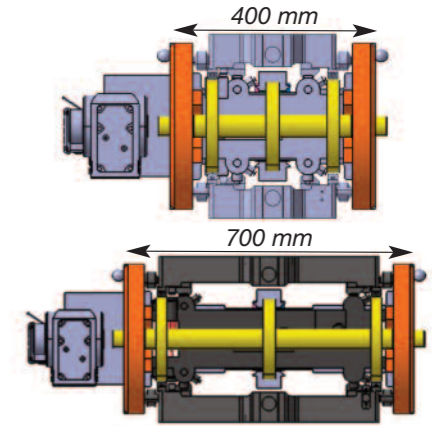
With incline

- Levelling height differences between loading and unloading stations up to 3° without additional changes to the basic design



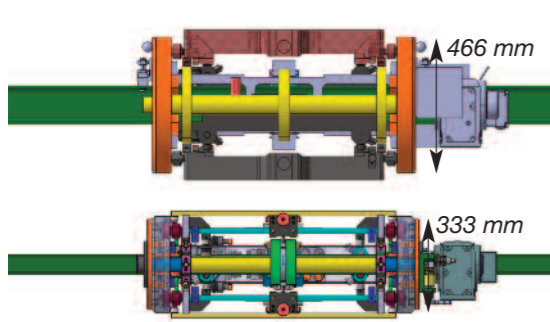
Broad and narrow

- Standard 400 mm or 700 mm



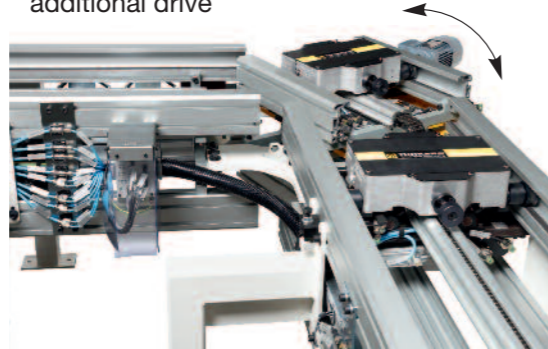
High and flat

- Standard belt, 466 mm high
- Flat belt for special application, 333 mm high



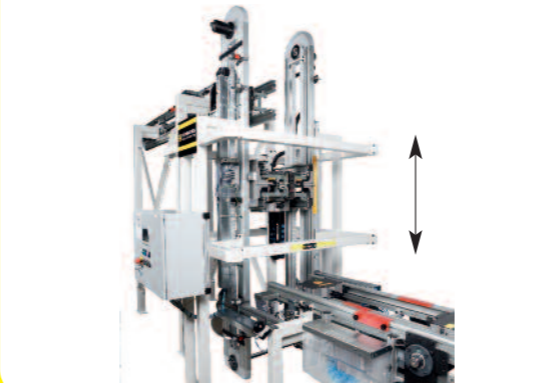
Around the corner

- Accumulating conveyor with optional corner deflector
- Integrated directly in the pallet flow without additional drive



High with lift

- Conveyor with integrated lift to bridge height differences



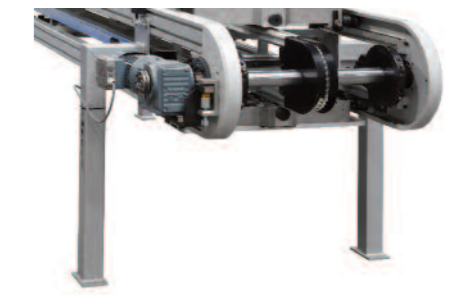
Suspended belt

- Practical experience with lengths up to 60 m
- Replace electric suspended conveyor systems



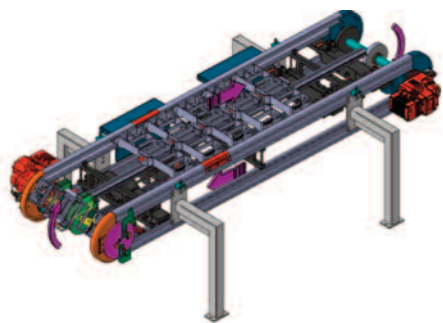
Spur belt replaces chain

- Maintenance-free
- No lubrication required
- Smooth operation with largely unchanged basic design and compatible dimensions



Safe loading without protective cover

- New safety version with a system decoupled at the turning point
- No more protective cover required



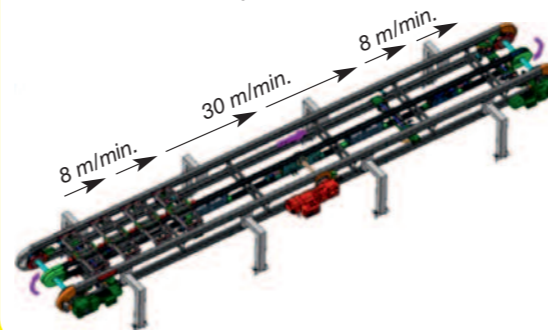
Without compressed air

- Drive 400 V, all stopper actuators 24 V
- No compressed air, no valve terminals



Dual speed

- Conveyor with individual segments featuring different speeds
- Fast conveying in the centre, slow transfer into the hand-off position



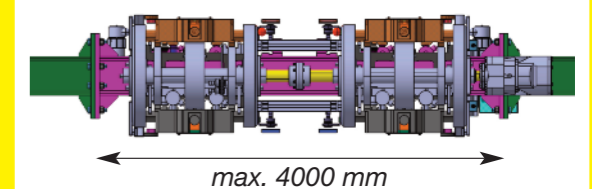
With pallet coupling

- In idle position, pallets are decoupled from the drive with patented mechanic coupling
- Less stops and motor output as there is almost no friction



AFSD Dual Belt

- Dual belt up to 4 m wide for conveying broad and heavy components



Your product managers:

Kai Moenkediek · kai.moenkediek@tuenkers.de · Tel. +49 162 1311896
 Athanasios Gotoglou · ango@tuenkers.de · Tel. +49 2102 4517-139
 Firas Kazak · fkazak@tunkersiberica.com · Tel. +34 93 497 0743